

# BTS3BE0225

# BTS4BE0225

## MCCB Type Transfer Switch

Rated Current 125~225 Amp Rated Voltage 100~600 VAC

### Features

- High Short Circuit Breaking Capacity
- Incorporate OCPD Design\*<sup>1</sup>
- Complies with IEC60947-6 requirements\*<sup>2</sup>
- MCCB Has Auxiliary Limit Switch Inside
- Reliable Motor-Operated Transfer Mechanism
- Molded Insulating Manual Handle
- PVC-Coated Bus Bar > 3KV Insulation
- With Mechanical Interlock
- Includes Plug-in Connector, For Simple Hook-up to Controller

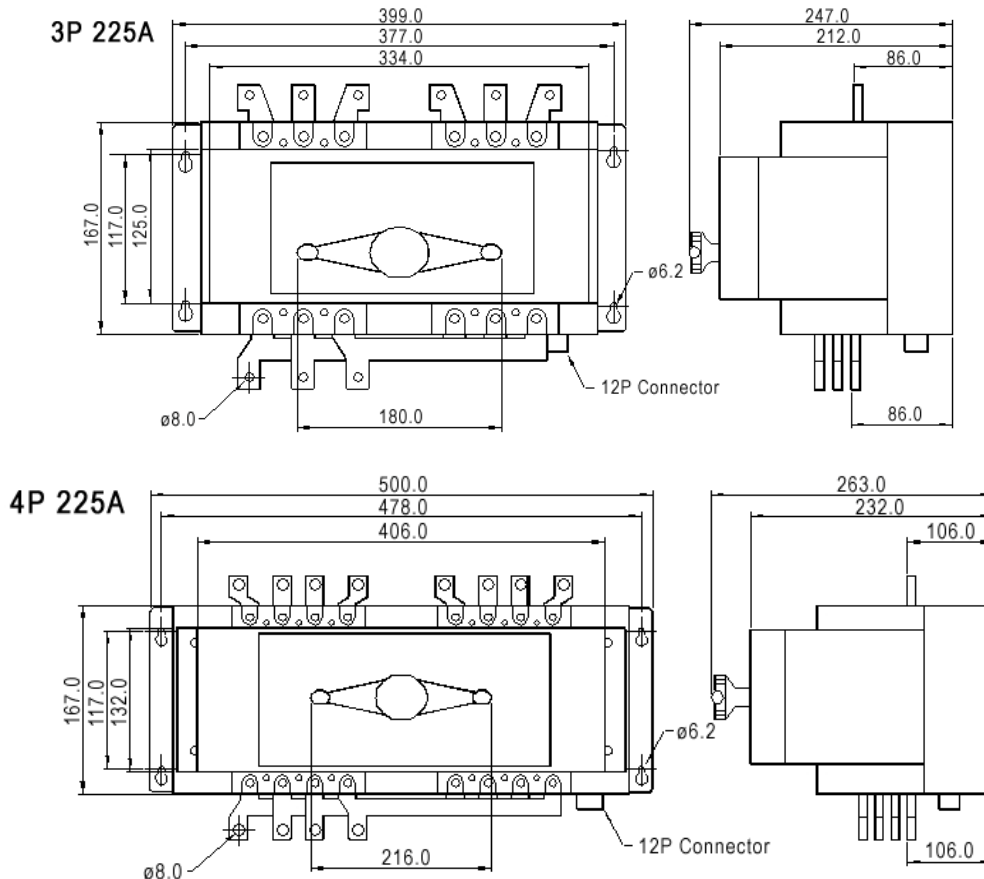


### BTS Rated Operating Current & AC Rated Breaking Capacity

BTS Type	Poles	Rated Current(A) Ambient Temperature 40°C					AC Rated Breaking Capacity Sym r.m.s(KA)				IEC 60947-2 Icu/Ics	
		125	150	175	200	225	240V	380V	415V	440V	500V	690V
BTS3BE0225	3P	125	150	175	200	225	25	18	15	15	10	--
BTS4BE0225	4P	125	150	175	200	225	50	35	25	25	22	8

\*For special high breaking capacity requirements, please contact us.

### Mechanical Specifications (Unit : mm)



\*1 OCPD : Over Current Protection Device

\*2 (1) IEC60947-6 Class CB : ATS provided with over current releases and the main contacts of which are capable of making and are intended for breaking short circuit currents.

(2) IEC60947-6 Utilization Category AC-33A :

- Frequent Operations.
- Motor loads or mixed loads including motors, resistive loads and up to 30% incandescent lamp.

\*3 Customized BTS Available : Please provide the required specification and specified MCCB type (if there is any), we will evaluate the mechanical capability for customers.



固也泰電子工業有限公司  
KUTAI ELECTRONICS INDUSTRY CO., LTD.



TEL: +886-7-8121771 FAX: +886-7-8121775

Head Office: No.3, Lane 201, Chien Fu St., Chyan Jenn Dist., Kaohsiung, TAIWAN  
Please link to <http://www.kutai.com.tw> for detailed manual.